

# 88UKD Series - Miniature Open Style SPST - N.O., 30 Amp



The 88UKD is a small but tough miniature open style relay capable of up to 30 amps at 300VAC or 28VDC. A decreased current rating of 5 amps is permissible at 600VAC. Ideal for applications where only a small package will fit or no socket is desired.

## GENERAL SPECIFICATIONS (@ 25° C)

### Contacts:

|                             |                         |
|-----------------------------|-------------------------|
| Contact Configuration       | SPST-NO-Double Make     |
| Contact Material            | Silver Alloy            |
| Contact Rating              |                         |
| 120 / 240VAC Resistive      | 30 Amp                  |
| 28VDC Resistive             | 30 Amp                  |
| Motor 120VAC 1 Phase        | 1Hp                     |
| Motor 240VAC 1 Phase        | 1Hp                     |
| Contact Resistance, Initial | 50 milliohms max @ 6VDC |

### Coil:

|                              |                        |
|------------------------------|------------------------|
| Coils Available              | AC and DC              |
| Nominal Coil Power           | 3VA 1.5W               |
| Input Voltage Tolerance - AC | 85% to 110% of nominal |
| Input Voltage Tolerance - DC | 80% to 110% of nominal |
| Drop-out voltage             | 10% of nominal         |
| Duty                         | Continuous             |

### Timing:

|                    |      |
|--------------------|------|
| Operate Time (max) | 25ms |
| Release Time (max) | 20ms |

### Dielectric Strength:

|                                   |                       |
|-----------------------------------|-----------------------|
| Across Open Contacts              | 1000 VRMS             |
| Between Mutually Insulated Points | 1000 VRMS             |
| Insulation Resistance             | 1000 megohms @ 500VAC |

### Temperature:

|           |                             |
|-----------|-----------------------------|
| Operating | -10 to 60°C (14 to 140°F)   |
| Storage   | -40 to 105°C (-40 to 221°F) |

### Life Expectancy:

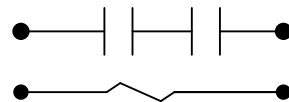
|                                   |           |
|-----------------------------------|-----------|
| Electrical (full load operations) | 100,000   |
| Mechanical (no load operations)   | 5,000,000 |

### Miscellaneous:

|                   |                  |
|-------------------|------------------|
| Mounting Position | Any              |
| Enclosure         | Open             |
| Weight            | 3.0oz (85 grams) |



### 88UKD Wire Diagram

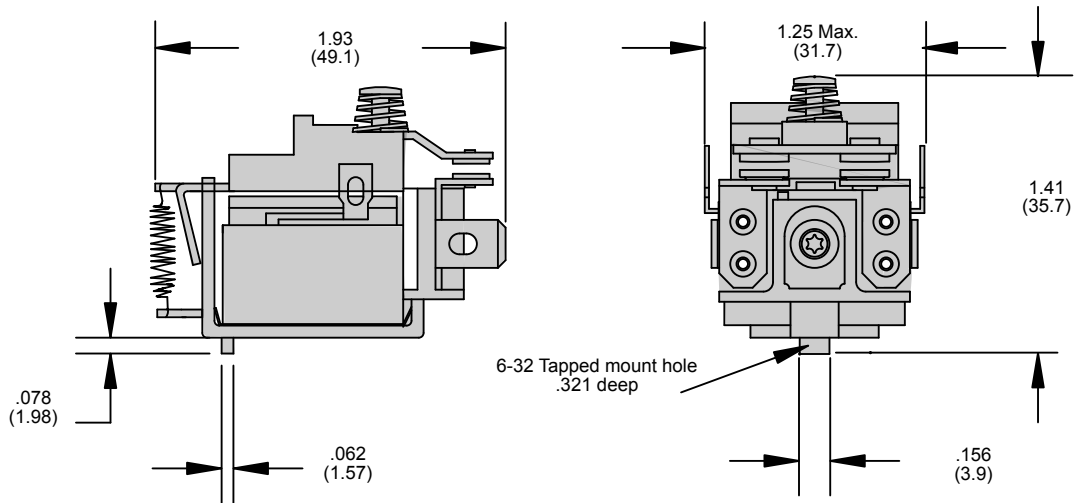


# Power Relays

## 30 - 300 Amp

### Outline Dimensions

Dimensions shown in inches & (millimeters)



### 88UKD Part Number Chart

| Part number       | Nominal input voltage      | Nominal resistance (ohms) | Nominal power |
|-------------------|----------------------------|---------------------------|---------------|
| VAC Operated coil |                            |                           |               |
| 88UKADX-3         | 24VAC                      | 44                        | 3VA           |
| 88UKADX-4         | 120VAC                     | 1,000                     | 3VA           |
| 88UKADX-5         | 240VAC 60HZ<br>220VAC 50HZ | 5,400                     | 3VA           |
| VDC Operated coil |                            |                           |               |
| 88UKDX-2          | 12VDC                      | 100                       | 1.5W          |
| 88UKDX-3          | 24VDC                      | 400                       | 1.5W          |
| 88UKDX-4          | 110VDC                     | 8000                      | 1.5W          |